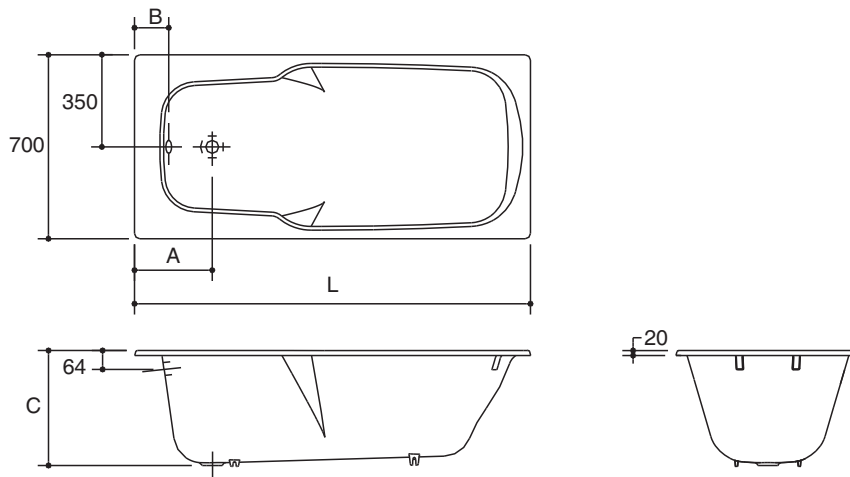


K-8266T/P8266T  
K-8268T/P8268T/P8268T-WGR  
K-8270T/K-8271T  
K-8273T/K-8275T

### ROUGHING-IN 产品尺寸图 (Unit:mm) (单位:毫米)



### PRODUCT INFORMATION 产品信息

	K-8266T/P8266T/K-8268T/P8268T/P8268T-WGR	K-8270T/K-8271T	K-8273T/K-8275T
L	1500mm (毫米)	1600mm (毫米)	1700mm (毫米)
A	294mm (毫米)	294mm (毫米)	294mm (毫米)
B	117mm (毫米)	117mm (毫米)	117mm (毫米)
C	435mm (毫米)	435mm (毫米)	435mm (毫米)

### Cut-out Dimensions 切割图尺寸

K-8266T/P8266T/K-8268T/P8268T/P8268T-WGR	1462mm × 662mm
K-8270T/K-8271T	1562mm × 662mm
K-8273T/K-8275T	1662mm × 662mm

### Optional Accessory Information 可选配件信息

Drain 排水	K-17295T-CP
Grip Rail 扶手	K-8645T-CP
	(For K-8268T/P8268T/K-8270T/K-8273T)
	(适用于K-8268T/P8268T/K-8270T/K-8273T)
Adjustable feet 可调节支撑脚	K-18416T-NA